

FOCUS 40 Blue – Cheat Sheets

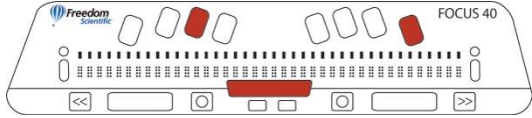
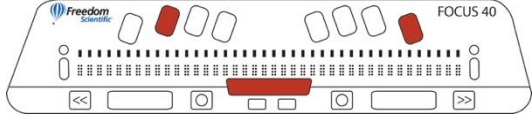
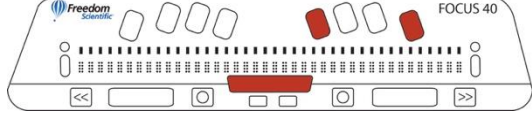
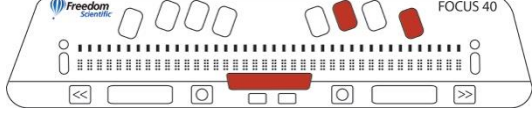
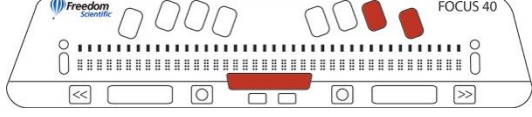
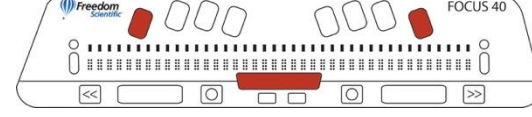
Introduction

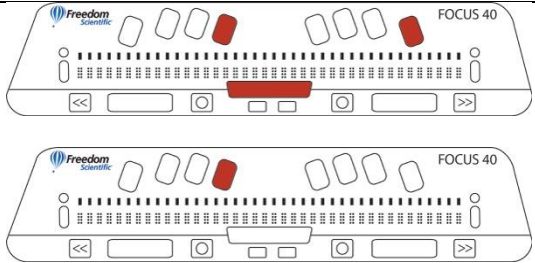
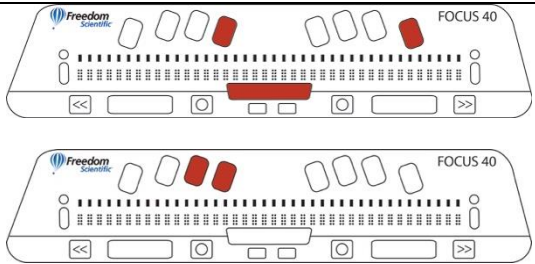
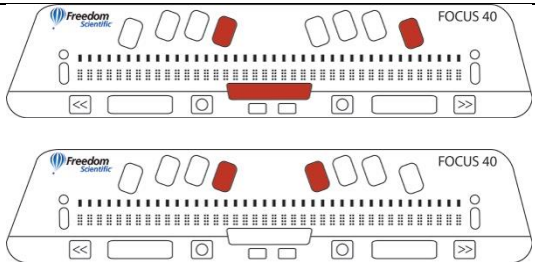
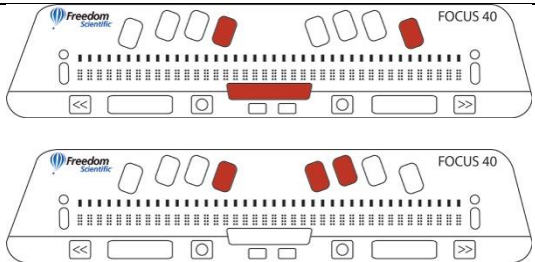
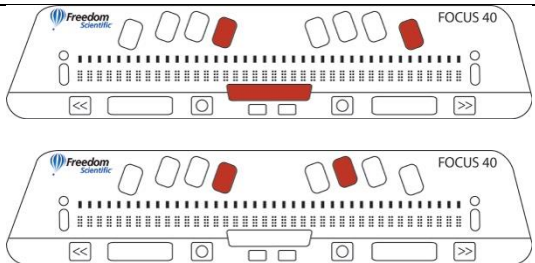
The Focus 40 is a refreshable Braille display that allows users to use the built-in Perkins style keyboard and additional keys to fully access computer functions when paired with JAWS.

This tutorial assumes

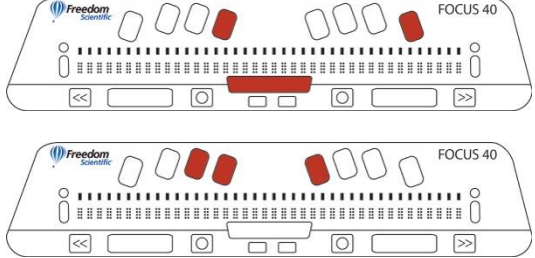
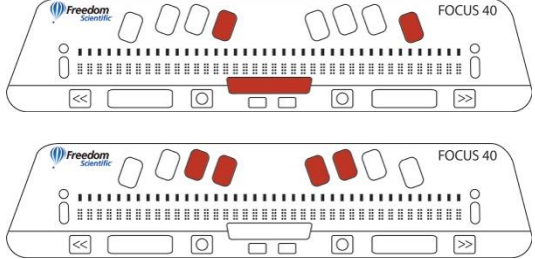
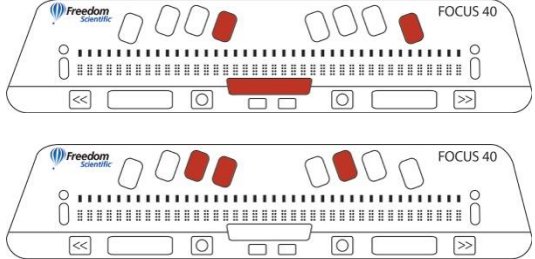
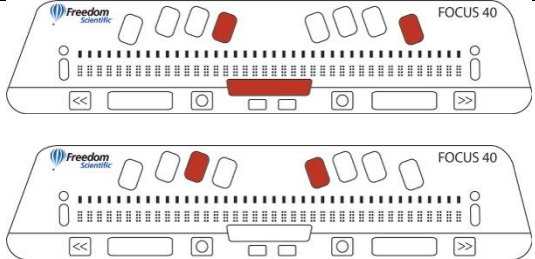
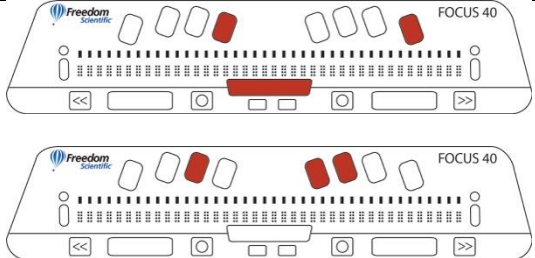
- That you have a copy of JAWS installed on your computer
- That the FOCUS 40 is connected to the computer via Bluetooth or USB

Table of Contents: Modifier Keys

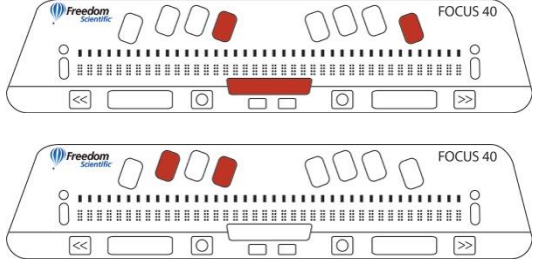
Modifier Keys		
	INSERT – Dot 2-8 chord	
	Control – Dot 3-8 CHORD	
	WINDOWS key – Dot 4-8 CHORD	
	JAWS key – DOT 5-8 CHORD	
	ALT – DOT 6-8 CHORD	
	SHIFT – DOT 7-8 CHORD	

Function Keys		
	F1 - DOT 1-8 CHORD, A	
	F2 - DOT 1-8 CHORD, B	
	F3 - DOT 1-8 CHORD, C	
	F4 - DOT 1-8 CHORD, D	
	F5 - DOT 1-8 CHORD, E	

SET▶BC

	F6 - DOT 1-8 CHORD, F	
	F7 - DOT 1-8 CHORD, G	
	F8 - DOT 1-8 CHORD, H	
	F9 - DOT 1-8 CHORD, I	
	F10 - DOT 1-8 CHORD, J	

SET▶BC

	F11 - DOT 1-8 CHORD, K	
	F12 - DOT 1-8 CHORD, L	